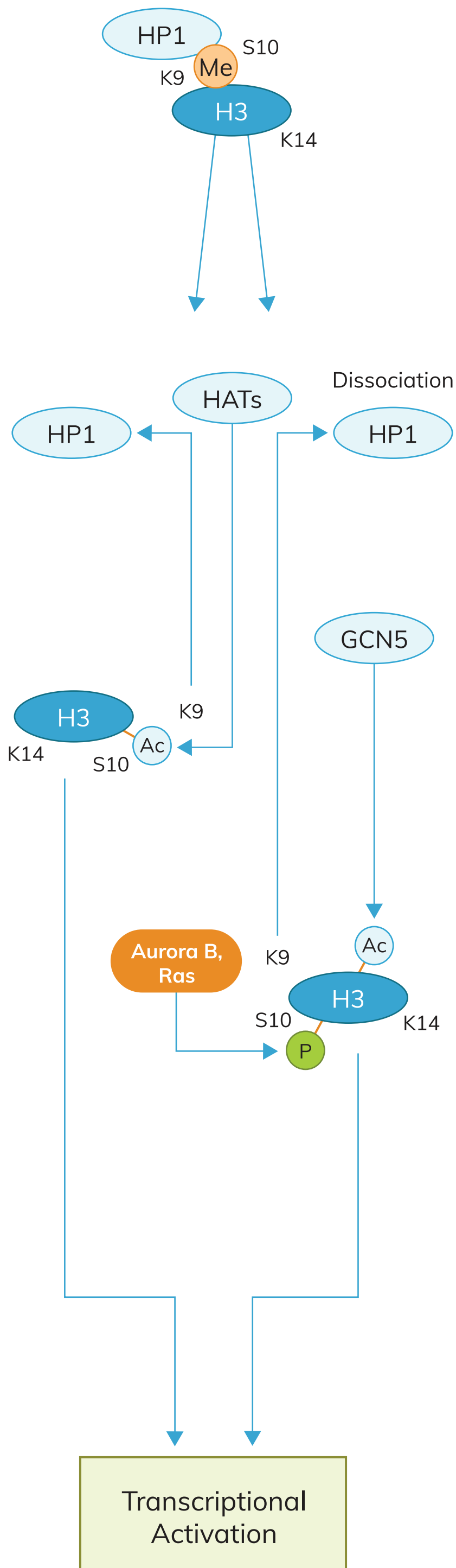


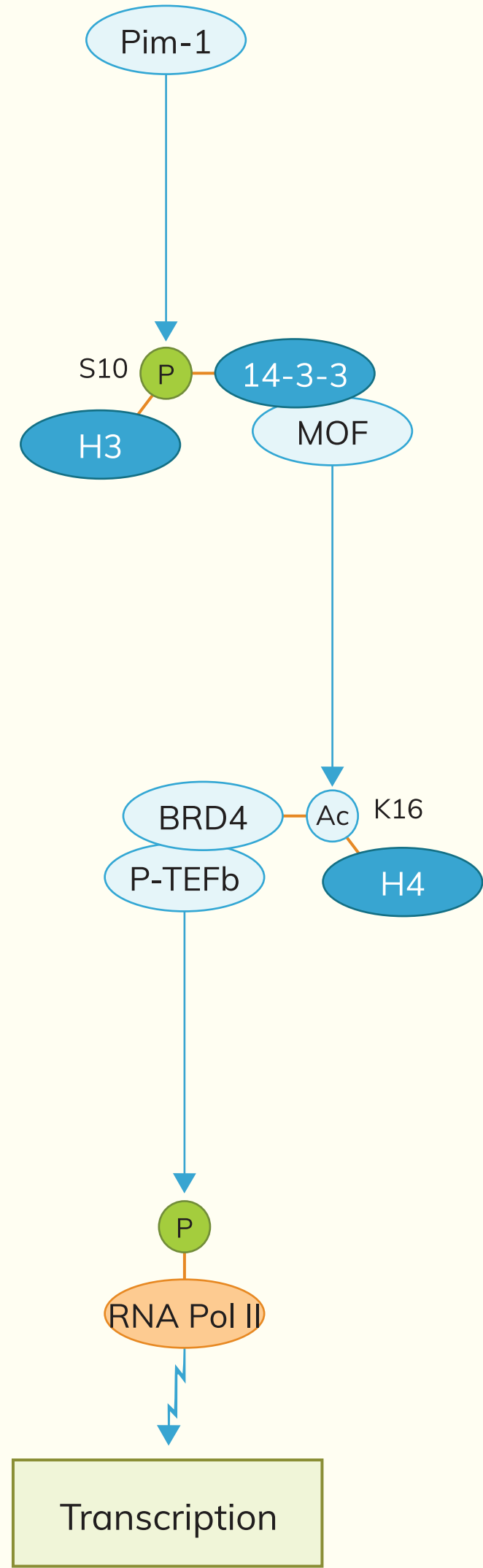
Translational Modification Crosstalk Signaling Pathway

Histone H3

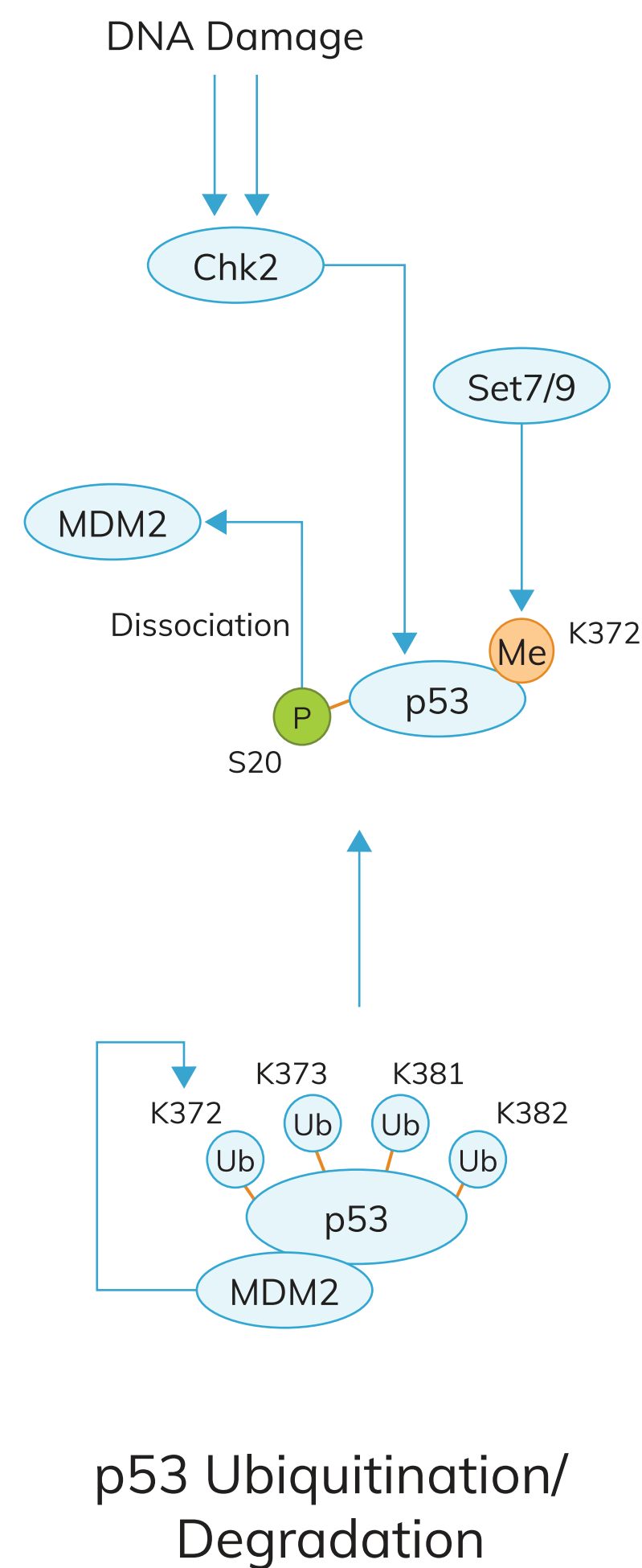
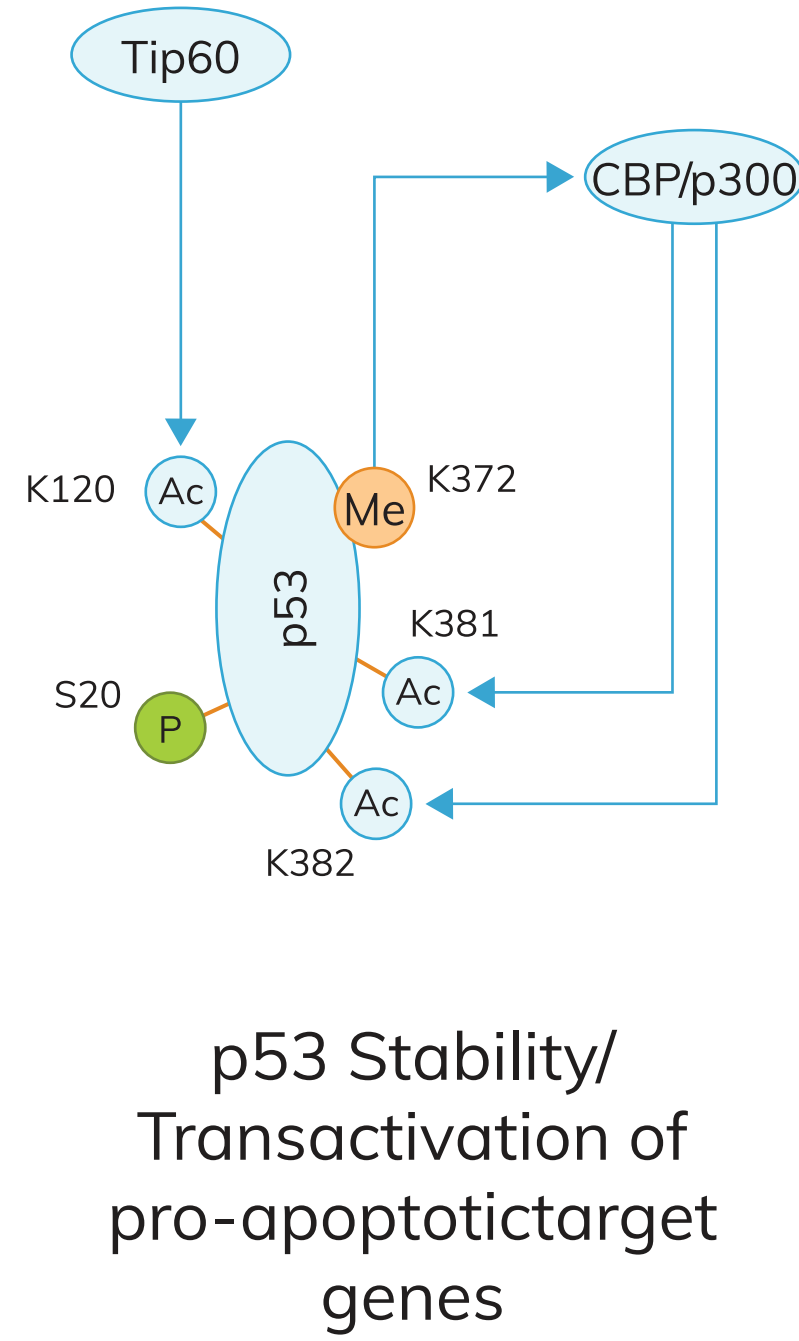
Transcriptional Repression



Histone H3 & H4

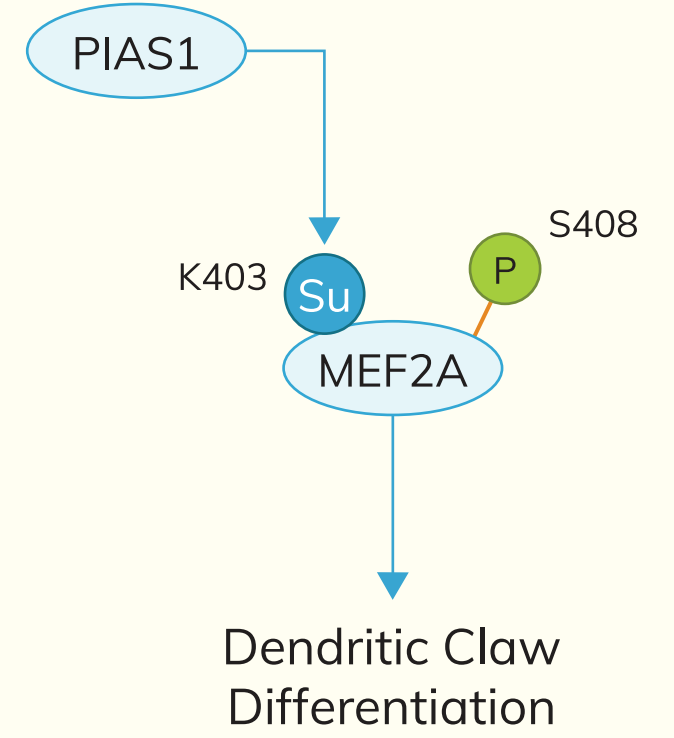


p53



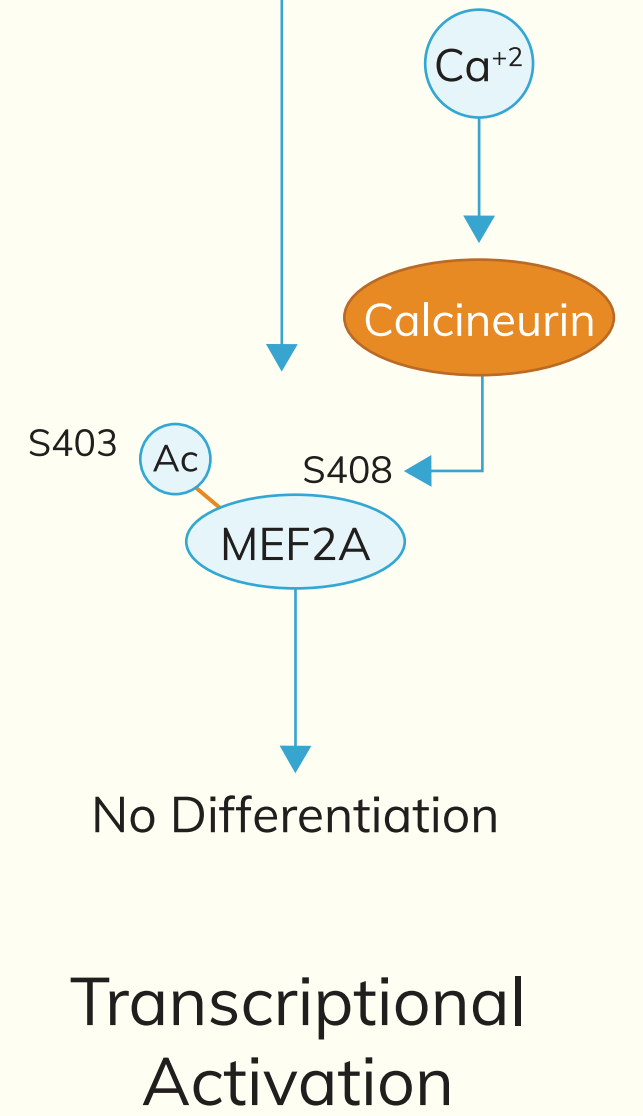
MEF2A

Resting Neurons



Transcriptional Repression

Membrane Depolarization



No Differentiation

Transcriptional Activation

