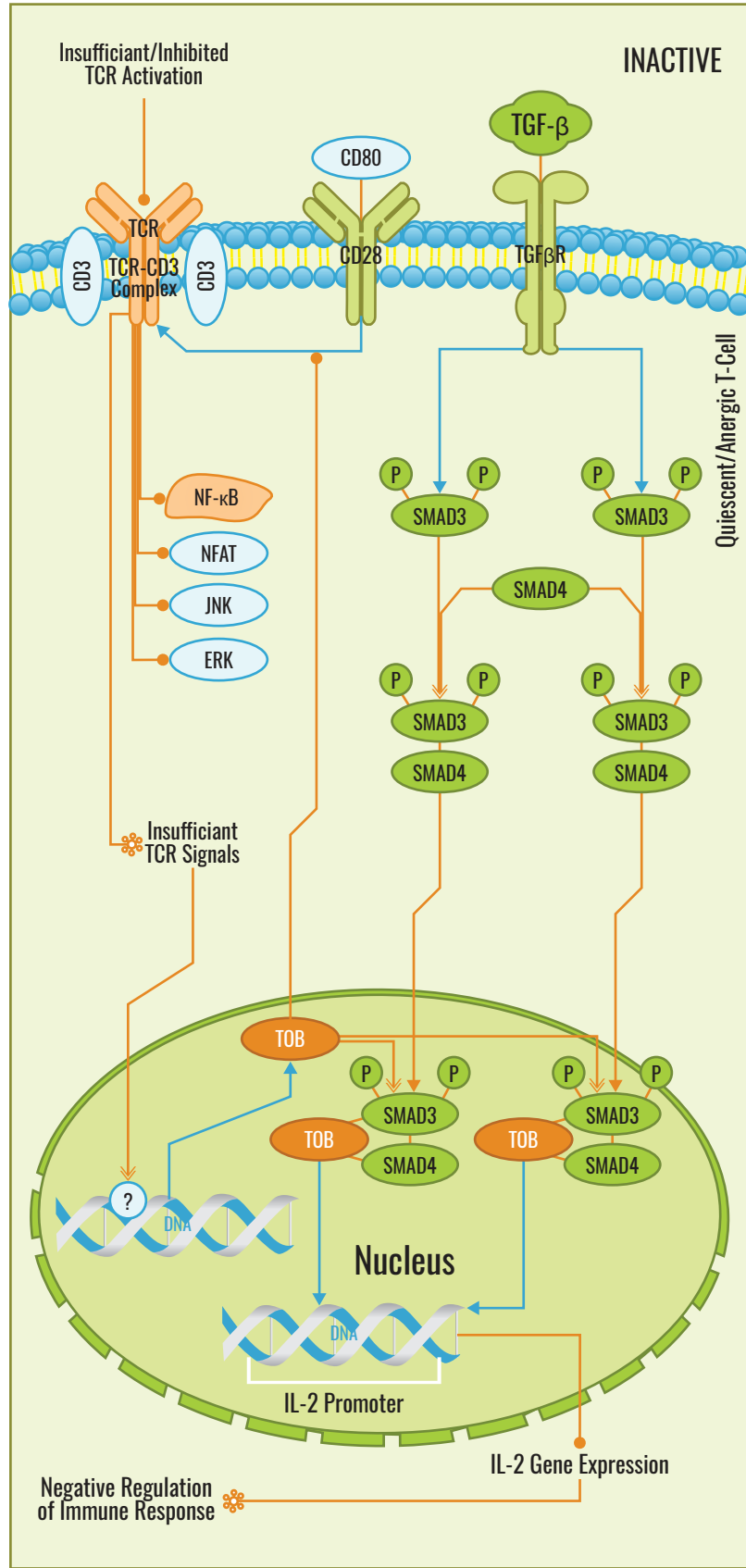
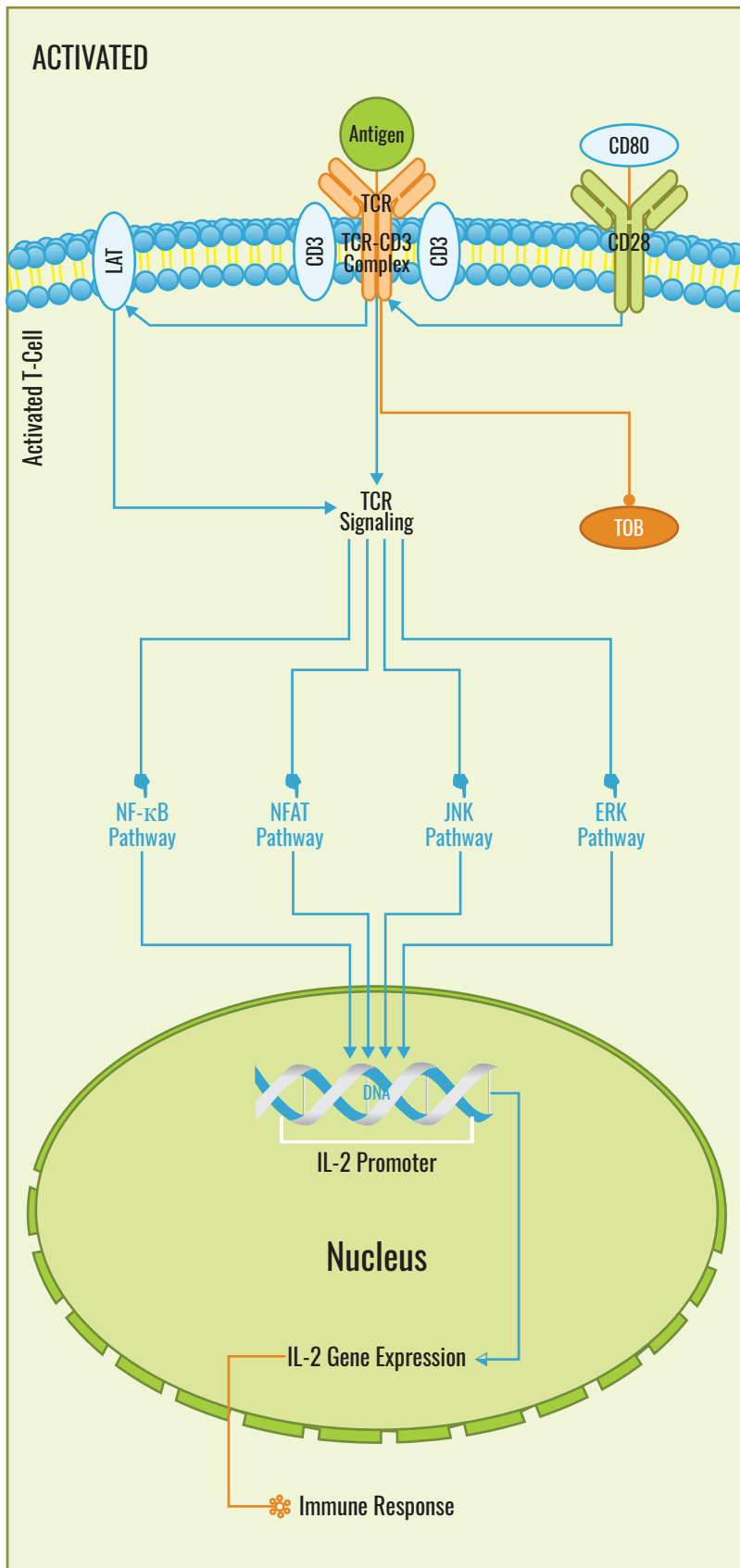


# IL-2 Gene Expression in Activated and Quiescent T-Cells Pathway



- |                     |                 |
|---------------------|-----------------|
| Activation          | Modification    |
| Indirect Activation | Membership      |
| Binding             | Proteolysis     |
| Expression          | Reaction (Uni)  |
| Enzyme Catalysis    | Reaction (Bi)   |
| Inhibition          | Related Pathway |
| Leads to            | Translocation   |

**BOSTER**  
antibody and ELISA experts

**IL-2 Gene Expression in Activated and Quiescent T-Cells Pathway**

www.bosterbio.com

